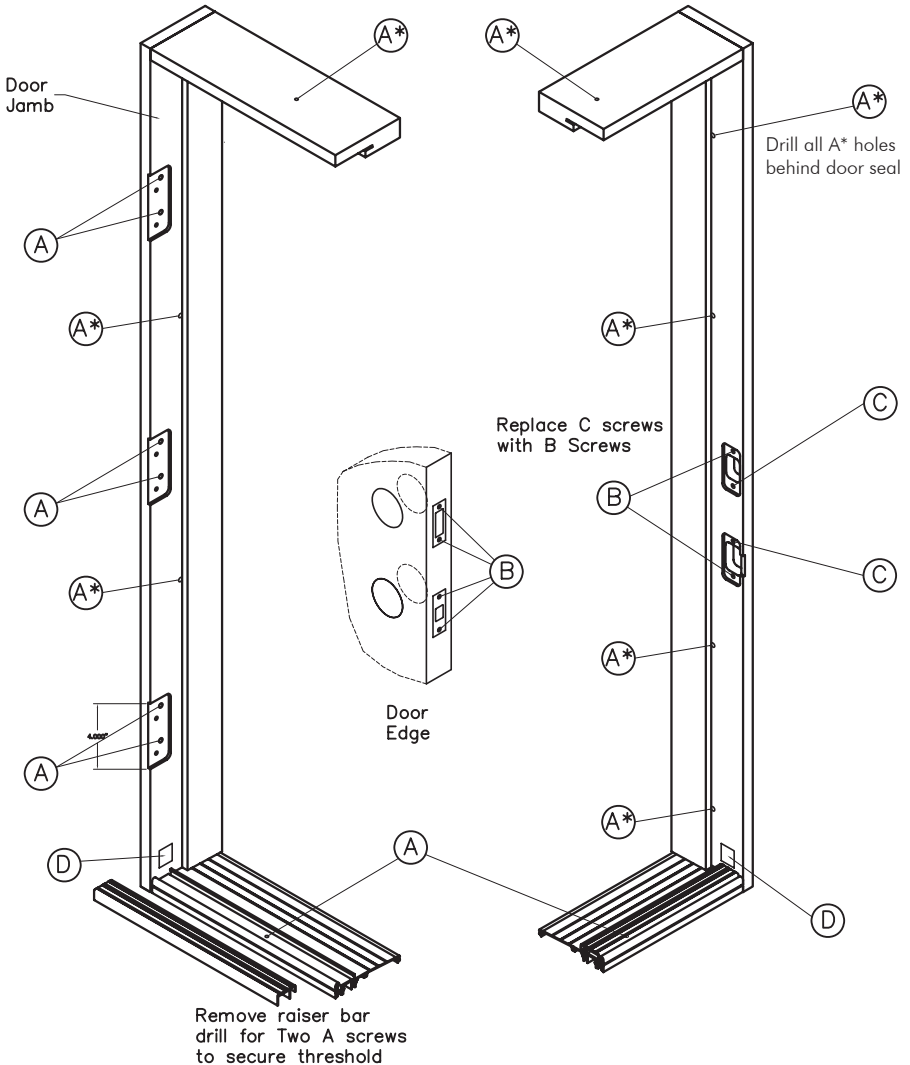




Screw Pack Item # 16297

Screw Pack Usage for New Construction Ultra & Double Steel Entry Door



A 16 Brass #10 x 2" PFH Screw
(Hinge to sublock) P#13406



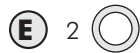
B 6 Brass #8 x 1 1/2" PFH Screw
(For lock frame) P#13404



C 4 Brass #8 x 5/32" PFH Screw
(For strike plates) P#13400



D 2 Corner Pads
P#13372



E 2 Clear Lexan Rings
(mounted under exterior knob to prevent scratching)
P#13510