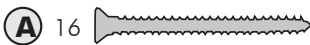
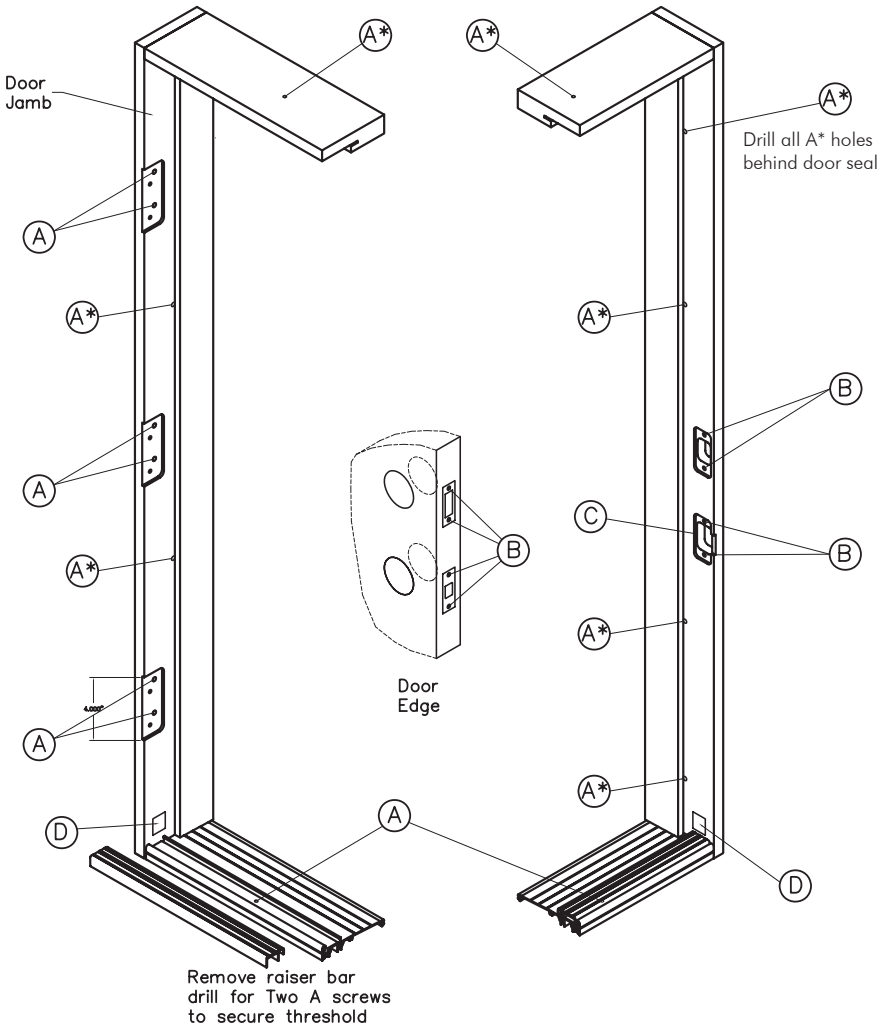




Screw Pack Item # 16296

# Screw Pack Usage for New Construction Standard Single Steel Entry Door



16 Brass #10 x 2" PFH Screw  
(Hinge to sublock) P#13406



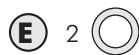
8 Brass #8 x 1 1/2" PFH Screw  
(For lock frame) P#13404



1 Adjustable Strike Plate  
P#13374



2 Corner Pads  
P#13372



2 Clear Lexan Rings  
(mounted under exterior knob to prevent scratching)  
P#13510