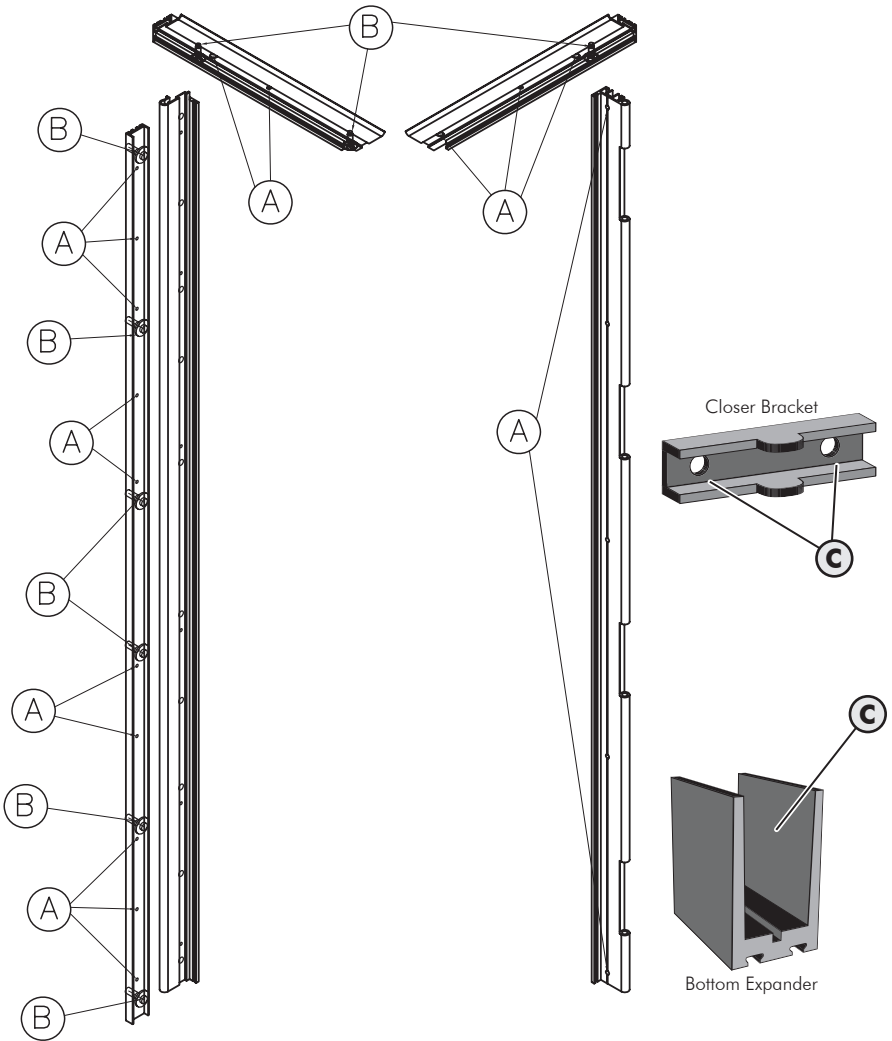







Screw Pack Item # 16295

Screw Pack Usage for Aluminum Storm Door with Expandable Frame



A 20 
Brass #8 x 1 1/2" PFH Screw
P#13404

B 9 + 1 extra 
Self Taping Adjustable Screw
P#13403

C 6 
Tek #8 x 3/4" PPH Screw
(For closer and bottom expander)
P#16173